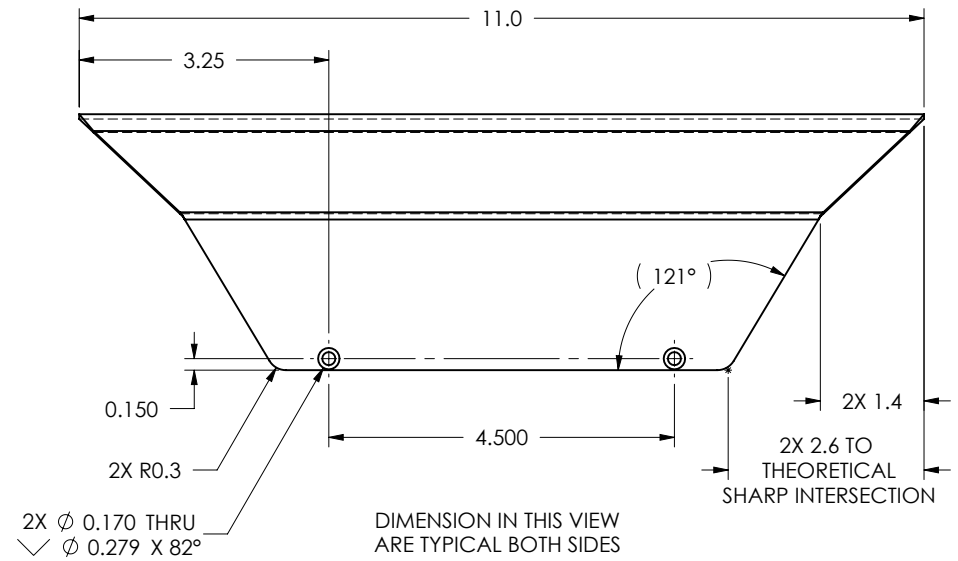
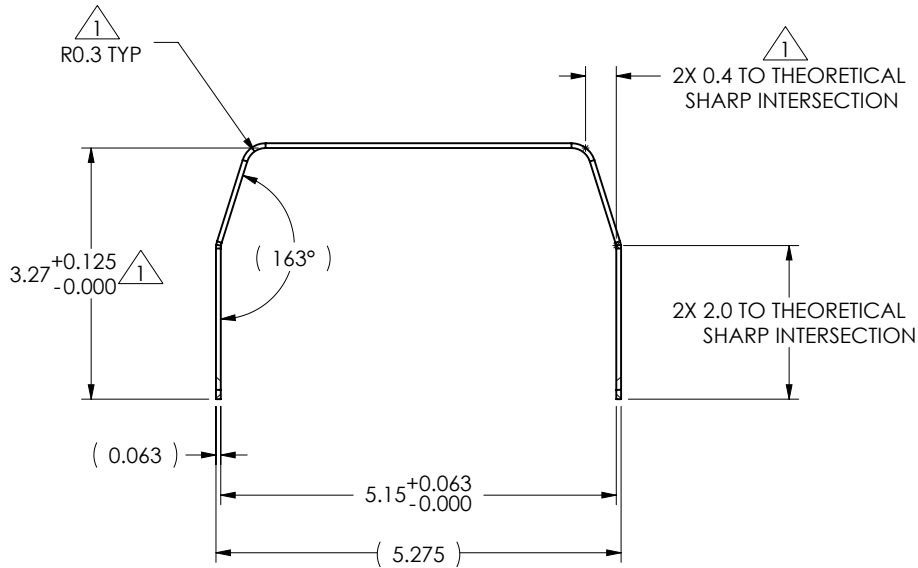
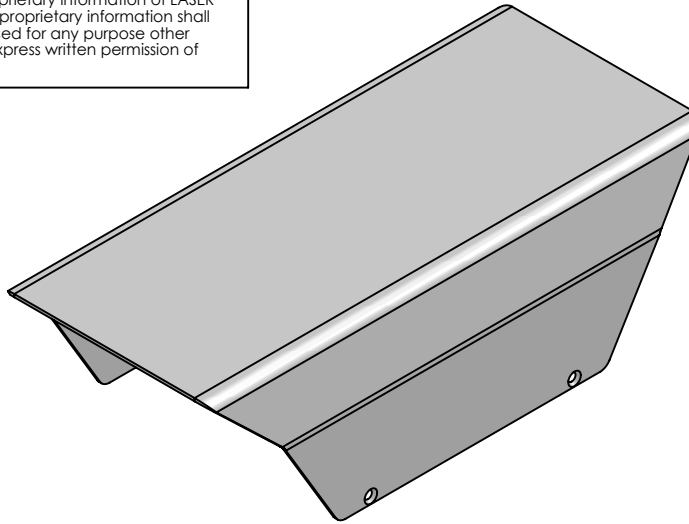


PROPRIETARY NOTICE: This document contains proprietary information of LASER TECHNOLOGY, INC. Neither the document or said proprietary information shall be published, reproduced, copied, disclosed, or used for any purpose other than consideration of this document without the express written permission of a duly authorized representative of said company.

REVISION HISTORY				
REV.	ECO #	DESCRIPTION	DRAWN / DATE	APPROVED / DATE
1		PRODUCTION RELEASE	W.R. 5/24/2012	
2	1308	UPDATED TITLE BLOCK, REDIMENSIONED PART & LOOSENED TOLERANCES.	T.T. 8/29/2019	W.R. 9/03/2019



NOTES: UNLESS OTHERWISE SPECIFIED.

1. DIMENSIONS TO INSIDE OF PART.

2. FINISH: POWDER COAT BEIGE FINE TEXTURE SEMI-GLOSS
CARDINAL INDUSTRIAL FINISHES #T241-BG137 OR EQUIVALENT

PART NUMBER
1134749

SHEET 1 OF 1

2

UNLESS OTHERWISE SPECIFIED DIMENSIONS ARE IN INCHES		DRAWN W. RETT	DATE 7/12/2010	6912 South Quentian St. Centennial, CO 80112
TOLERANCES: .X ± .063 .XX ± .015 .XXX ± .010 .XXXX ±		CHECKED W. RETT	DATE 9/03/2019	
ANGLES: ± 1/2°		APPROVED N. HEEKE	DATE 11/06/2019	TITLE INDUSTRIAL MOUNT SHADE,
FINISH: 125 ✓		SIZE PART NUMBER A 1134749		REV 2
MATERIAL ALUMINUM, 5052-H32 X .063 THICK		REF FILE NAME XXX		SCALE 1:1 SHEET 1 OF 1