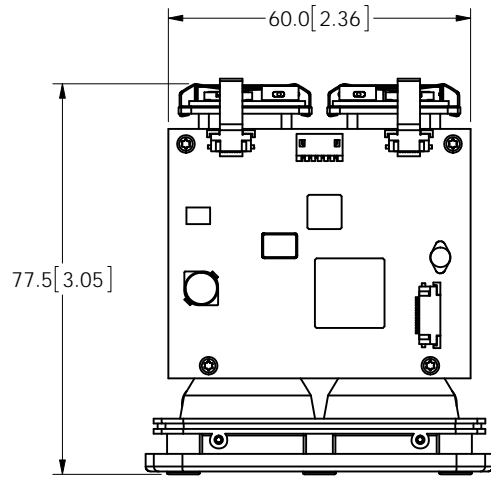
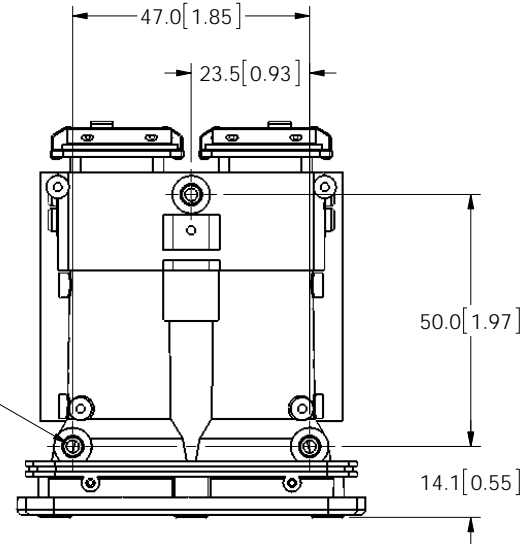


PROPRIETARY NOTICE: This document contains proprietary information of LASER TECHNOLOGY, INC. Neither the document or said proprietary information shall be published, reproduced, copied, disclosed, or used for any purpose other than consideration of this document without the express written permission of a duly authorized representative of said company.

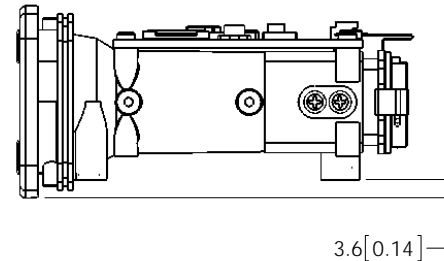
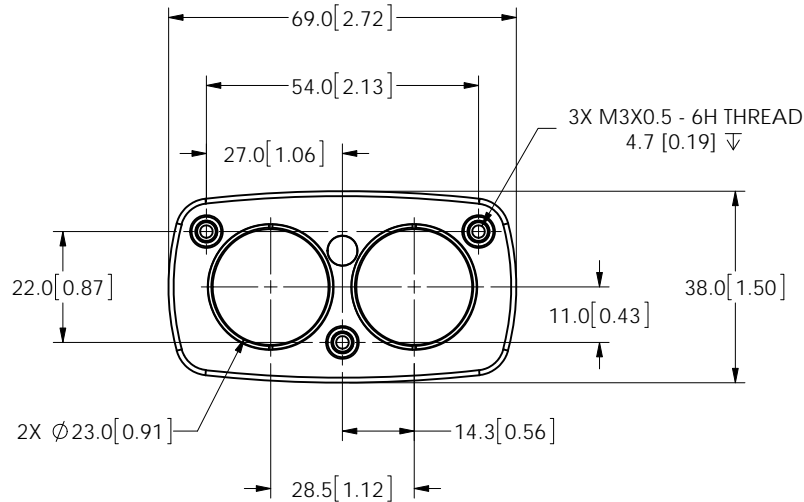
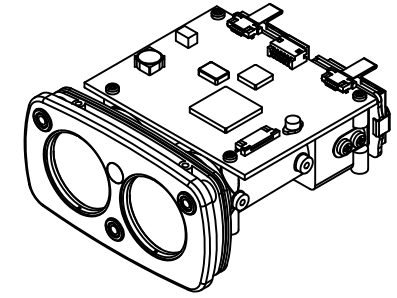
REVISION HISTORY				
REV	ECO/DCR	DESCRIPTION	DATE / DRAWN	APPROVED
A		CREATED DRAWING	06/30/10 W.R.	
B		UPDATED ADDRESS IN TITLE BLOCK	4/05/2013 W.R.	



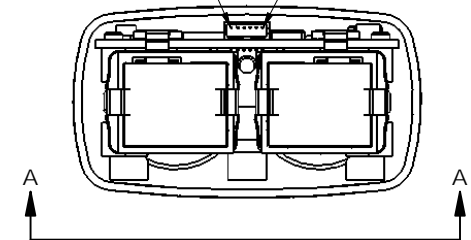
3X M3X0.5 - 6H THREAD
4.7 [0.19] ∇



VIEW A-A
SCALE 1 : 1.5



6 PIN CONNECTOR
PIN 1



NOTES: UNLESS OTHERWISE SPECIFIED.

1. DIMENSIONS ARE IN MILLIMETERS AND [INCHES].

APPLICABLE SPECIFICATIONS	UNLESS OTHERWISE SPECIFIED DIMENSIONS ARE IN INCHES TOLERANCES: X ± ANGLES: ± 1/2° DECIMALS: .XX ± FINISH: 125 ✓ .XXX ± .XXXX ±	APPROVALS		6912 South Quentin Street Centennial, CO 80112
		SIGNATURE	DATE	
MATERIAL		DRAWN BY	06/30/10	TRUSENSE S200 OEM DIMENSIONS
PROTECTIVE/DECORATIVE FINISH		CHECKED BY		SIZE FILE NAME
		APPROVED BY		A XXXXXXXX
		APEX FILE NAME	XXX	PART/DRAWING NO. XXXXXXXX
		SCALE	2/3	REV B
		DRAWING NOT TO SCALE		SHEET 1 OF 1

PART/DRAWING NO. XXX
SHEET 1 OF 1
REV B