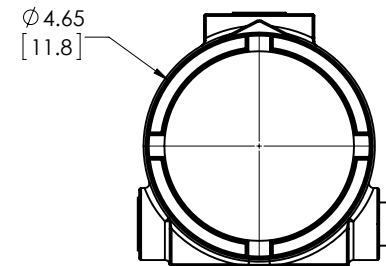
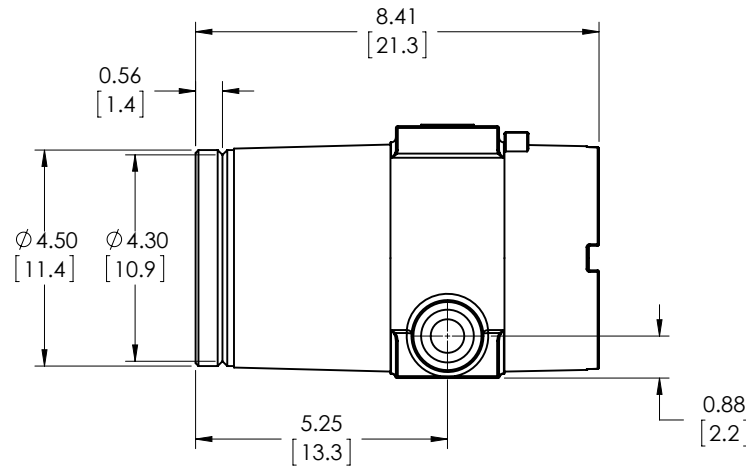
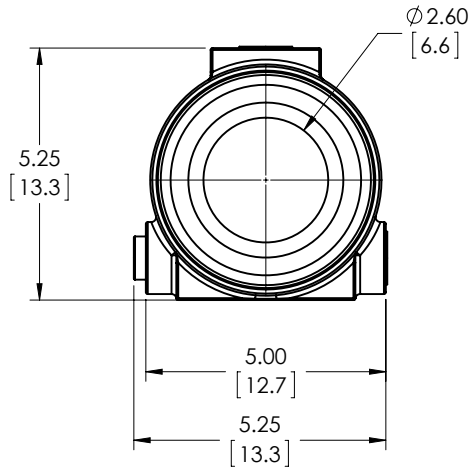
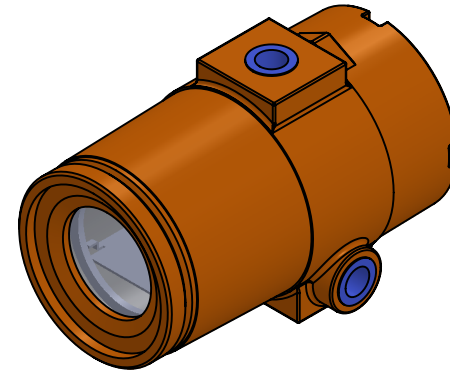
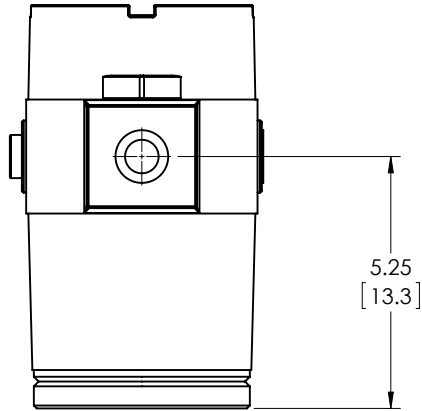


PROPRIETARY NOTICE: This document contains proprietary information of LASER TECHNOLOGY, INC. Neither the document or said proprietary information shall be published, reproduced, copied, disclosed, or used for any purpose other than consideration of this document without the express written permission of a duly authorized representative of said company.

REVISION HISTORY			
REV.	ECO #	DESCRIPTION	APPROVED / DATE
A		CREATED DRAWING	W.R. 12/30/2014



NOTES: UNLESS OTHERWISE SPECIFIED.

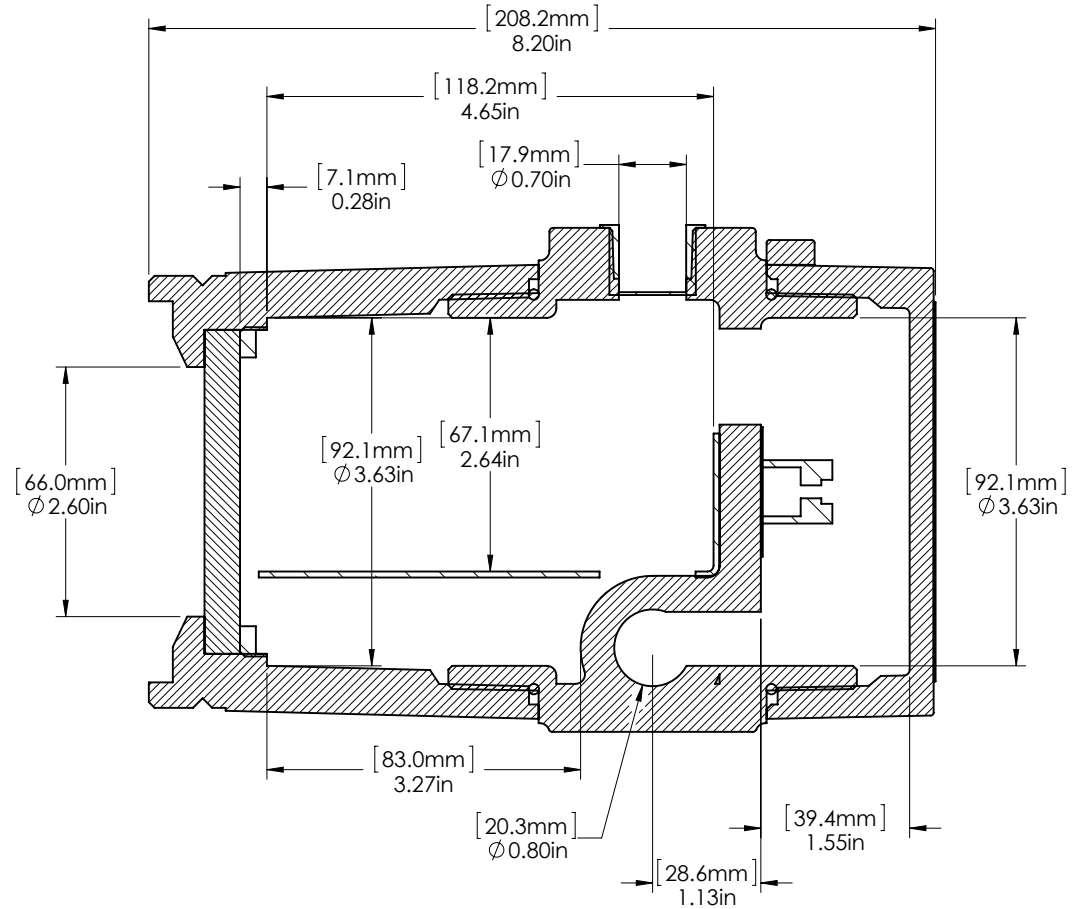
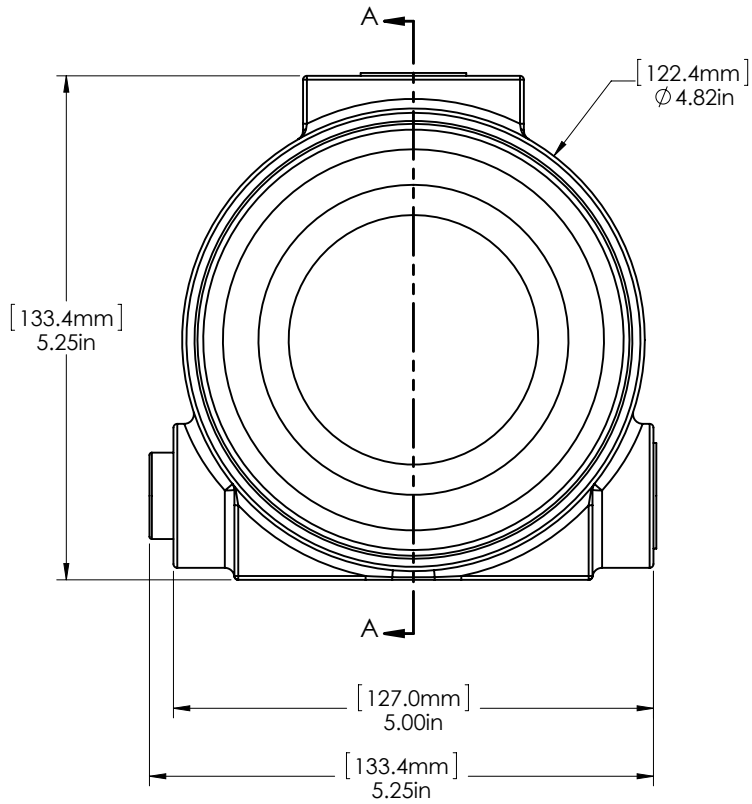
1. DIMENSIONS ARE IN INCHES AND [CENTIMETERS].

UNLESS OTHERWISE SPECIFIED DIMENSIONS ARE IN INCHES		DRAWN W. RETT	DATE 12/30/2014	6912 South Quentin St. Centennial, CO 80112
TOLERANCES: .X ± .025 ANGLES: ± 1/2° DECIMALS: .XX ± .010 FINISH: 125 ✓ .XXX ± .005 .XXXX ± .001		CHECKED	DATE	
		APPROVED	DATE	RUGGEIZED ENCLOSURE DIMENSIONS
MATERIAL X	PROTECTIVE/DECORATIVE FINISH X	SIZE A	PART NUMBER	REV A
REF FILE NAME XXX		SCALE 1:4		SHEET 1 OF 1

PROPRIETARY NOTICE: This document contains proprietary information of LASER TECHNOLOGY, INC. Neither the document or said proprietary information shall be published, reproduced, copied, disclosed, or used for any purpose other than consideration of this document without the express written permission of a duly authorized representative of said company.

DRAWING FOR REFERENCE ONLY

REVISION HISTORY			
REV.	ECO #	DESCRIPTION	APPROVED / DATE
A		CREATED DRAWING	W.R. 2/05/2016



SECTION A-A
SCALE 1 : 2

PART NUMBER
SHEET 1 OF 1
A

UNLESS OTHERWISE SPECIFIED DIMENSIONS ARE IN INCHES		DRAWN W. RETT	DATE 2/05/2016	6912 South Quentian St. Centennial, CO 80112
TOLERANCES: .X ± .025 .XX ± .010 .XXX ± .005 .XXXX ± .001		CHECKED	DATE	
ANGLES: ± 1/2°		APPROVED	DATE	TRUSENSE S SERIES RUGGEDIZED ENCLOSURE
FINISH: 125 ✓		MATERIAL		SIZE A PART NUMBER REF FILE NAME XXX
PROTECTIVE/DECORATIVE FINISH		SCALE 1:2		REV A SHEET 1 OF 1

